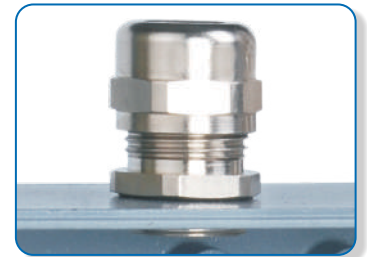


# CABLE GLANDS & ACCESSORIES

WITH WIDE CLAMPING RANGE



- NICKEL PLATED BRASS
- POLYAMIDE





### CABLE GLANDS & ACCESSORIES

WITH WIDE CLAMPING RANGE



- NICKEL PLATED BRASS
- POLYAMIDE



**SIMPLY SOLUTIONS**

# CABLE GLANDS

WITH WIDE CLAMPING RANGE

Cable Glands is a device to permit the firm and secure termination of cable to provide sealing, retention and earthing, bonding, grounding, insulation, strain relief or combination of all these. They are used throughout a number of industries in conjunction with cable and wiring used in electrical instrumentation and automation systems.

Main usage are machine building, plant construction, conveyor technique, apparatus engineering, power engineering, vehicle construction, military engineering, shipbuilding, railed vehicles, electric motors, generators, frequency converters, drive technology, gear units, pumps, ventilators, aero planes, electric and electronic components, products and devices, junction boxes, industrial enclosures, electric installations and controls, building automation, industrial automation, automation technology, lamps, luminaries, lighting technology.



# CONTENTS

<b>Cable Glands &amp; Accessories - Nickel Plated Brass</b>	<b>4-9</b>
<b>Cable Glands - Nickel Plated Brass</b>	<b>5-6</b>
• Cable Glands - Metric Thread	5
• Cable Glands - Pg Thread	5
• Cable Glands - EMC	6
• Cable Glands - Combination Type	6
<b>Hexagonal Locknuts</b>	<b>7-8</b>
• Hexagonal Locknuts - Normal (Metric & Pg)	7
• Hexagonal Locknuts - EMC (Metric)	8
<b>Accessories</b>	<b>9</b>
• Enlarger	9
• Reducer	9
<b>Cable Glands &amp; Accessories - Polyamide</b>	<b>10-16</b>
<b>Cable Glands - Polyamide</b>	<b>11-12</b>
• Cable Glands - Silver Grey Color (RAL 7001)	11
• Cable Glands - Light Grey Color (RAL 7035)	11
• Cable Glands - Black Color (RAL 9005)	11
• Cable Glands - Combination Type	12
<b>Hexagonal Locknuts</b>	<b>13</b>
• Hexagonal Locknuts - Normal (Metric & Pg)	13
<b>Accessories</b>	<b>14-16</b>
• Screw Plug	14
• Blanking Plug	15
• Dust Cap	15
• Multiple Inserts	16



# CABLE GLANDS & ACCESSORIES - NICKEL PLATED BRASS



## Key Features

- Complete range of sizes.
- Wide sealing and clamping range.
- Easy to install.
- Integrated anchorage.
- Metric and Pg thread available.

## Application Area

- Wind Energy
- Solar Energy
- Machine Manufacturers
- Panel Manufacturers
- Telecommunication
- Automobiles
- Transportation

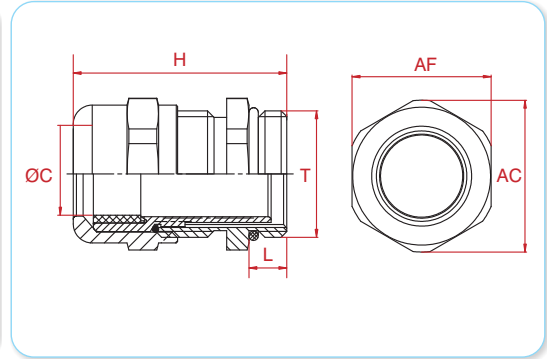


# CABLE GLANDS - NICKEL PLATED BRASS

## CABLE GLANDS - METRIC THREAD


### Properties

Dome Nut	Nickel Plated Brass
Gland Body	Nickel Plated Brass
Sealing Ring	Nitrile Rubber (NBR)
Flat / O Ring	Nitrile Rubber (NBR)
Temperature Range	-40°C / +100°C



BRASS

### Technical Data

Connecting Thread	Metric as per EN 60423	Pitch	1.5 mm
Protection Grade	IP 68	UL File No.	E466603
Test Standard	UL 514B & BSEN 62444	Approvals	

Standard Thread			Long Thread			Hexagonal Dimensions				
Article No.	Entry Thread Length	Height	Article No.	Entry Thread Length	Height	External Thread	Clamping Range	Packet Size	Across Flats	Across Corners
	L (mm)	H (mm)		L (mm)	H (mm)	T	ØC (mm)	(Pcs.)	AF (mm)	AC (mm)
01 17 11001	5	25	01 17 11009	10	30	M 12	3 - 6	100	14	15.5
01 17 11002	5	30	01 17 11010	10	35	M 16	5 - 9	100	18	20
01 17 11003	6	33.5	01 17 11011	10	37.5	M 20	9 - 13	50	22	24
01 17 11004	7	36.5	01 17 11012	11	40.5	M 25	11 - 16	50	27	30
01 17 11005	8	38	01 17 11013	13	43	M 32	14 - 21	25	34	36
01 17 11006	8	41	01 17 11014	13	46	M 40	19 - 27	10	43	46
01 17 11007	9	49.5	01 17 11015	14	54.5	M 50	24 - 35	5	55	60
01 17 11008	10	52.5	01 17 11016	14	56.5	M 63	32 - 42	5	65	70

## CABLE GLANDS - Pg THREAD

### Technical Data

Connecting Thread Pg as per DIN 40430

Standard Thread			Long Thread			Hexagonal Dimensions				
Article No.	Entry Thread Length	Height	Article No.	Entry Thread Length	Height	External Thread	Clamping Range	Packet Size	Across Flats	Across Corners
	L (mm)	H (mm)		L (mm)	H (mm)	T	ØC (mm)	(Pcs.)	AF (mm)	AC (mm)
01 17 11119	5	24	01 17 11122	15	24	Pg 7	3 - 6.5	100	14	15.5
01 17 11087	6	29	01 17 11123	15	29	Pg 9	4 - 8	100	17	19
01 17 11088	6	29.5	01 17 11124	15	29.5	Pg 11	5 - 10	50	20	22
01 17 11089	6.5	31.5	01 17 11125	15	31.5	Pg 13.5	6 - 12	50	22	24.3
01 17 11090	6.5	31.5	01 17 11126	15	31.5	Pg 16	10 - 14	50	24	26.5
01 17 11091	7	34	01 17 11127	15	34	Pg 21	13 - 18	50	30	33.4
01 17 11092	8	39	01 17 11128	15	39	Pg 29	18 - 25	25	40	43.4
01 17 11093	10	44				Pg 36	24 - 32	10	50	50
01 17 11120	12	48				Pg 42	30 - 38	5	57	57
01 17 11121	14	51.5				Pg 48	34 - 44	5	64	64

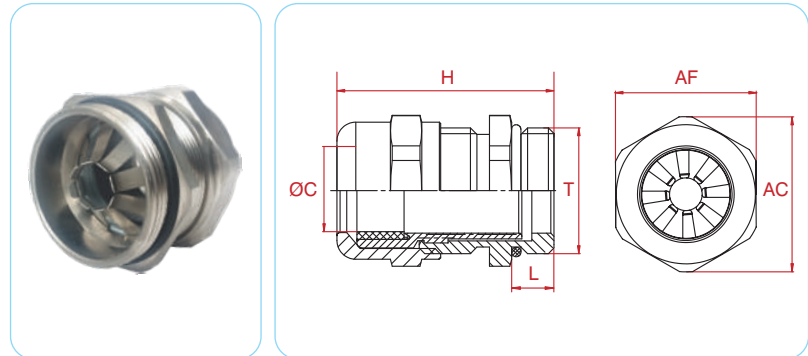
# CABLE GLANDS - NICKEL PLATED BRASS

## CABLE GLANDS - EMC

(With Electromagnetic Compatibility for Shielded Cables)


### Properties

Dome Nut	Nickel Plated Brass
Gland Body	Nickel Plated Brass
Sealing Ring	Nitrile Rubber (NBR)
Flat / O Ring	Nitrile Rubber (NBR)
Temperature Range	-40°C / +100°C



BRASS

### Technical Data

Connecting Thread	Metric as per EN 60423	Pitch	1.5 mm
Protection Grade	IP 68	UL File No.	E466603
Test Standard	UL 514B	Approvals	

Standard Thread			Long Thread			Hexagonal Dimensions				
Article No.	Entry Thread Length	Height	Article No.	Entry Thread Length	Height	External Thread	Clamping Range	Packet Size	Across Flats	Across Corners
	L (mm)	H (mm)		L (mm)	H (mm)	T	ØC (mm)	(Pcs.)	AF (mm)	AC (mm)
01 17 11017	5	25	01 17 11025	10	30	M 12	3 - 6	100	14	15.5
01 17 11018	5	30	01 17 11026	10	35	M 16	5 - 9	100	18	20
01 17 11019	6	33.5	01 17 11027	10	37.5	M 20	9 - 13	50	22	24
01 17 11020	7	36.5	01 17 11028	11	40.5	M 25	11 - 16	50	27	30
01 17 11021	8	38	01 17 11029	13	43	M 32	14 - 21	25	34	36
01 17 11022	8	41	01 17 11030	13	46	M 40	19 - 27	10	43	47.5
01 17 11023	9	49.5	01 17 11031	14	54.5	M 50	24 - 35	5	55	60
01 17 11024	10	52.5	01 17 11032	14	56.5	M 63	32 - 42	5	65	70

## CABLE GLANDS - COMBINATION TYPE

### Properties

Temperature Range -20°C / +100°C

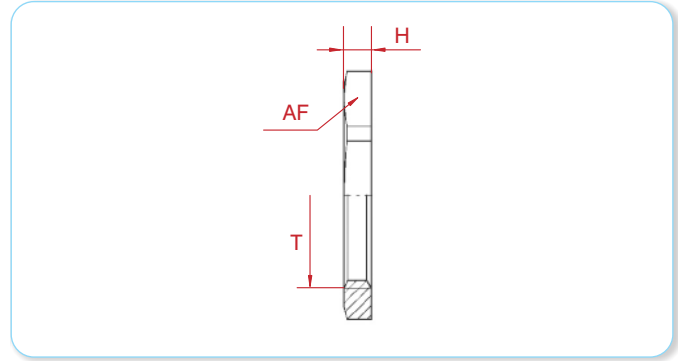
### Technical Data

Connecting Thread Pg to Metric & Metric to Metric  
Approvals 

Cable Glands - Combination Type						Hexagonal Dimensions
Article No.	Entry Thread Length	Height	External Thread / Entry Thread	Clamping Range	Packet Size	Across Flat
	L (mm)	H (mm)	T	ØC (mm)	(Pcs.)	AF (mm)
01 17 11117	6	29	TTMMUL-11/16	5 - 10	100	20
01 17 11110	6.5	31.5	TTMMUL-16/12	5 - 8	100	18
01 17 11111	5	32.5	TTMMUL-20/16	9 - 12	50	22
01 17 11112	6	35.5	TTMMUL-25/20	11 - 16	50	27
01 17 11113	7	37	TTMMUL-32/25	14 - 21	25	34
01 17 11114	8	41	TTMMUL-40/32	19 - 27	10	43

# HEXAGONAL LOCKNUTS

## HEXAGONAL LOCKNUTS - NORMAL (METRIC & Pg)



BRASS

### Properties

Dome Nut	Nickel Plated Brass
Temperature Range	Up to 100°C
Thread	Metric and Pg

Hexagonal Locknuts - Metric Thread

Article No.	External Thread	Across Flats	Height	Packet Size
	T	AF (mm)	H (mm)	(Pcs.)
01 17 11094	M 12	15	2.8	100
01 17 11095	M 16	19	2.8	100
01 17 11096	M 20	24	3	50
01 17 11097	M 25	30	3.5	50
01 17 11098	M 32	36	4	25
01 17 11099	M 40	46	5	10
01 17 11100	M 50	60	5	5
01 17 11101	M 63	70	6	5

Hexagonal Locknuts - Pg Thread

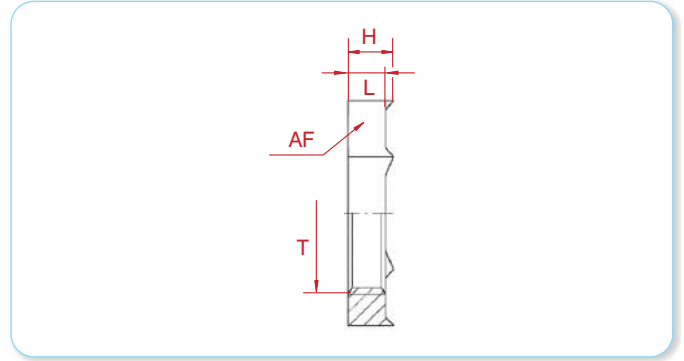
Article No.	External Thread	Across Flats	Height	Packet Size
	T	AF (mm)	H (mm)	(Pcs.)
01 09 00467	Pg 7	15	2.8	100
01 17 11102	Pg 9	18	2.8	100
01 17 11103	Pg 11	21	3	50
01 17 11104	Pg 13.5	23	3	50
01 17 11105	Pg 16	26	3	50
01 17 11106	Pg 21	32	3.5	50
01 17 11107	Pg 29	41	4	25
01 17 11108	Pg 36	51	5	10
01 09 01049	Pg 42	65	5	5
01 09 00475	Pg 48	69	5.5	5



# HEXAGONAL LOCKNUTS

## HEXAGONAL LOCKNUTS - EMC (METRIC)

BRASS



### Properties

Dome Nut                      Nickel Plated Brass  
 Temperature Range        Up to 100°C  
 Thread                         Metric

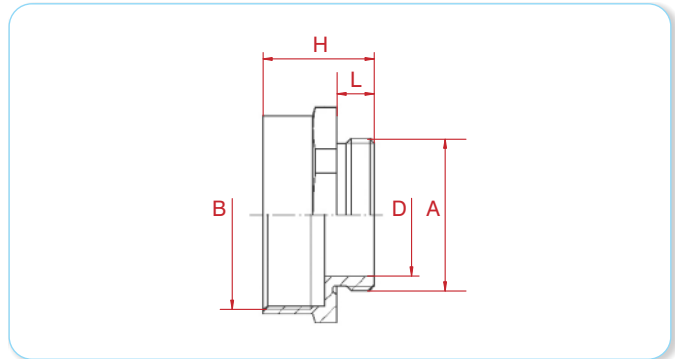
Hexagonal Locknuts - Metric Thread

Article No.	External Thread	Thread Length	Across Flats	Height	Packet Size (Pcs.)
	T	L (mm)	AF (mm)	H (mm)	
01 17 11134	M 12	4.5	15	5.5	100
01 17 11135	M 16	4.5	19	5.5	100
01 17 11136	M 20	4.5	24	5.5	50
01 17 11137	M 25	4.5	30	5.5	50
01 17 11138	M 32	4.5	36	5.5	25
01 17 11139	M 40	5	46	6	10
01 17 11181	M 50	5	60	6	5
01 17 11182	M 63	6	70	7	5



# ACCESSORIES

## ENLARGER



BRASS

### Properties

Enlarger  
Temperature Range

Nickel Plated Brass  
Up to +200°C

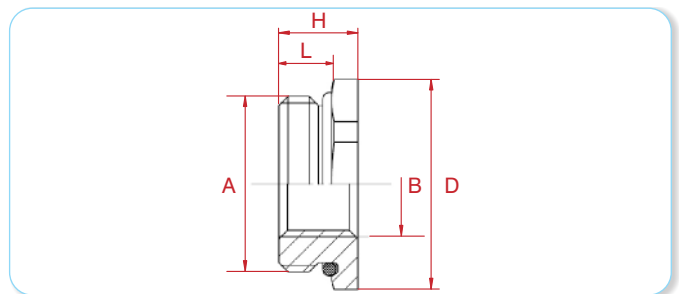
### Technical Data

Enlarger of threaded or clearance holes to larger thread sizes.

#### Enlarger - Metric Thread

Article No.	External Thread	Size	Size	Length	Height	Diameter	Packet Size
	T	A	B	L (mm)	H (mm)	D (mm)	(Pcs.)
01 17 11146	12/16	12	16	5	16	8	100
01 17 11147	16/20	16	20	5	16.5	12	100
01 17 04457	20/25	20	25	6	18.5	15	100
01 17 04458	25/32	25	32	7	20.5	21	100
01 17 09285	32/40	32	40	8	23.5	36	50

## REDUCER



### Properties

Dome Nut  
Temperature Range

Nickel Plated Brass  
up to +200°C

### Technical Data

Reduction of threaded or clearance holes to smaller thread sizes.

#### Reducer - Metric Thread

Article No.	External Thread	Size	Size	Length	Height	Diameter	Packet Size
	T	A	B	L (mm)	H (mm)	D (mm)	(Pcs.)
01 17 05064	M 16/12	M 16	M 12	6	8.5	20	100
01 17 05065	M 20/16	M 20	M 16	6.5	9	24	100
01 17 05066	M 25/20	M 25	M 20	7	10	30	100
01 17 05067	M 32/25	M 32	M 25	8	11.5	39	100
01 17 05068	M 40/32	M 40	M 32	9	12.5	50	50

# CABLE GLANDS & ACCESSORIES - POLYAMIDE



## Key Features

- Complete range of sizes.
- Wide sealing and clamping range.
- Easy to install.
- Integrated anchorage.
- Metric and Pg thread available.
- Silver Grey, Light Grey and Black color.

## Application Area

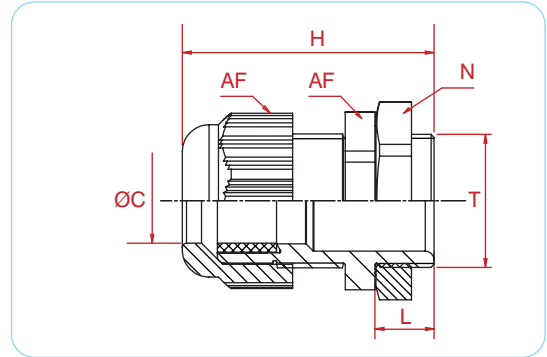
- Wind Energy
- Solar Energy
- Machine Manufacturers
- Panel Manufacturers
- Telecommunication
- Automobiles
- Transportation



## CABLE GLANDS - POLYAMIDE

### Properties

Dome Nut	Polyamide PA6-V2
Gland Body	Polyamide PA6-V2
Flat / O Ring	Nitrile Rubber (NBR)
Sealing Ring	Nitrile Rubber (NBR)
Temperature Range	-40°C to +100°C



### Technical Data

Connecting Thread	Metric as per EN 60423 Pg as per DIN 40430
Protection Grade	IP 68

Test Standard UL 514 B & EN 62444

UL File No. E 466603

Approvals   

## CABLE GLANDS - METRIC THREAD

Silver Grey Color (RAL 7001)	Light Grey Color (RAL 7035)	Black Color (RAL 9005)								Hexagonal Dimensions	
Article No.	Article No.	Article No.	External Thread	Clamping Range	Entry Thread Length	Height	Packet Size				
			T	ØC (mm)	L (mm)	H (mm)	(Pcs.)	Across Flats	Locknut		
								AF (mm)	N (mm)		
01 17 11033	01 17 11041	01 17 11049	M 12	3 - 6	8	31	100	15	17		
01 17 11034	01 17 11042	01 17 11050	M 16	5 - 10	8	35	100	20	22		
01 17 11035	01 17 11043	01 17 11051	M 20	8 - 13	8	37	100	24	27		
01 17 11036	01 17 11044	01 17 11052	M 25	11 - 17	10	44	50	29	32		
01 17 11037	01 17 11045	01 17 11053	M 32	15 - 21	15	55	25	36	41		
01 17 11038	01 17 11046	01 17 11054	M 40	19 - 28	15	58	20	46	50		
01 17 11039	01 17 11047	01 17 11055	M 50	27 - 35	18	67	10	55	60		
01 17 11040	01 17 11048	01 17 11056	M 63	32 - 42	18	71	5	68	75		

POLYAMIDE

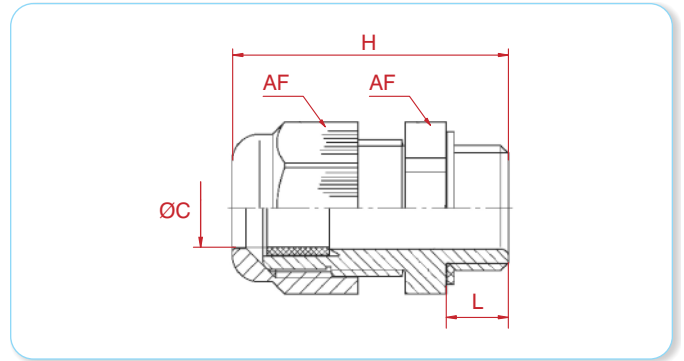
## CABLE GLANDS - Pg THREAD

Silver Grey Color (RAL 7001)	Light Grey Color (RAL 7035)	Black Color (RAL 9005)								Hexagonal Dimensions	
Article No.	Article No.	Article No.	External Thread	Clamping Range	Entry Thread Length	Height	Packet Size				
			T	ØC (mm)	L (mm)	H (mm)	(Pcs.)	Across Flats	Locknut		
								AF (mm)	N (mm)		
01 17 11057	01 17 11067	01 17 11077	Pg 7	3 - 6.5	8	31	100	15	19		
01 17 11058	01 17 11068	01 17 11078	Pg 9	4 - 8	8	34	100	19	22		
01 17 11059	01 17 11069	01 17 11079	Pg 11	5 - 10	8	37	100	22	24		
01 17 11060	01 17 11070	01 17 11080	Pg 13.5	6 - 12	9	39	100	24	27		
01 17 11061	01 17 11071	01 17 11081	Pg 16	10 - 14	10	42	50	27	30		
01 17 11062	01 17 11072	01 17 11082	Pg 21	13 - 18	15	50	50	33	36		
01 17 11063	01 17 11073	01 17 11083	Pg 29	18 - 25	15	56	25	42	46		
01 17 11064	01 17 11074	01 17 11084	Pg 36	22 - 32	15	65	10	53	60		
01 17 11065	01 17 11075	01 17 11085	Pg 42	30 - 38	18	70	5	60	65		
01 17 11066	01 17 11076	01 17 11086	Pg 48	34 - 44	18	71	5	65	70		

\* UL Applied

# CABLE GLANDS - POLYAMIDE

## CABLE GLANDS - COMBINATION TYPE



### Properties

Dome Nut	Polyamide PA6-V2
Gland Body	Polyamide PA6-V2
Flat / O Ring	Nitrile Rubber (NBR)
Sealing Ring	Nitrile Rubber (NBR)
Temperature Range	-40°C to +100°C

### Technical Data

Connecting Thread	Metric as per EN 60423 Pg as per DIN 40430
-------------------	---

Approvals



POLYAMIDE

### Cable Glands - Combination Type

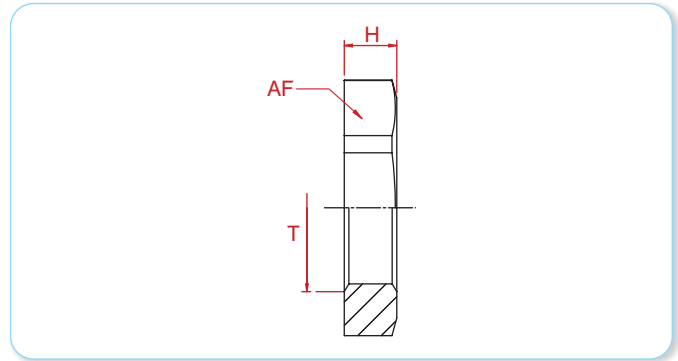
### Hexagonal Dimensions

Article No.	External Thread / Entry Thread	Clamping Range	Entry Thread Length	Height	Packet Size	Across Flats
	Silver Grey Color	ØC (mm)	L (mm)	H (mm)	(Pcs.)	AF (mm)
01 17 11149	TTPg11M16-Grey	5 - 10	15	44	100	22
01 17 11150	TTPg13M20-Grey	6 - 12	11	41.5	100	24
01 17 11151	TTPg16M20-Grey	10 - 14	15	47.5	50	27
01 17 11152	TTPg21M25-Grey	13 - 18	15	52	50	33
01 17 11153	TTPg29M32-Grey	18 - 25	15	57	25	42
01 17 11156	TTPg42M50-Grey	30 - 38	18	73.5	5	60
Article No.	External Thread / Entry Thread	Clamping Range	Entry Thread Length	Height	Packet Size	Across Flats
	White Color	ØC (mm)	L (mm)	H (mm)	(Pcs.)	AF (mm)
01 17 11160	TTPg11M16-White	5 - 10	15	44	100	22
01 17 11161	TTPg13M20-White	6 - 12	11	41.5	100	24
01 17 11162	TTPg16M20-White	10 - 14	15	47.5	50	27
01 17 11163	TTPg21M25-White	13 - 18	15	52	50	33
01 17 11164	TTPg29M32-White	18 - 25	15	57	25	42
01 17 11167	TTPg42M50-White	30 - 38	18	73.5	5	60
Article No.	External Thread / Entry Thread	Clamping Range	Entry Thread Length	Height	Packet Size	Across Flats
	Black Color	ØC (mm)	L (mm)	H (mm)	(Pcs.)	AF (mm)
01 17 11171	TTPg11M16-Black	5 - 10	15	44	100	22
01 17 11172	TTPg13M20-Black	6 - 12	11	41.5	100	24
01 17 11173	TTPg16M20-Black	10 - 14	15	47.5	50	27
01 17 11174	TTPg21M25-Black	13 - 18	15	52	50	33
01 17 11175	TTPg29M32-Black	18 - 25	15	57	25	42
01 17 11178	TTPg42M50-Black	30 - 38	18	73.5	5	60



# HEXAGONAL LOCKNUTS

## HEXAGONAL LOCKNUTS - NORMAL ( METRIC & Pg )



### Properties

Dome Nut	Polyamide PA6-V2
Temperature Range	-20°C / +100°C
Thread	Metric and Pg
Color	RAL 7001, RAL 7035, RAL 9005

### Hexagonal Locknut - Metric Thread

Article No.	Entry Thread / Color	Article No.	Entry Thread / Color	Article No.	Entry Thread / Color	Packet Size
						(Pcs.)
01 17 04373	M 12 PA 7001	01 17 04391	M 12 PA 7035	01 17 04359	M 12 PA 9005	100
01 17 04374	M 16 PA 7001	01 17 04392	M 16 PA 7035	01 17 04017	M 16 PA 9005	100
01 17 04375	M 20 PA 7001	01 17 04393	M 20 PA 7035	01 17 04018	M 20 PA 9005	100
01 17 04376	M 25 PA 7001	01 17 04394	M 25 PA 7035	01 17 04021	M 25 PA 9005	100
01 17 04377	M 32 PA 7001	01 17 04395	M 32 PA 7035	01 17 04022	M 32 PA 9005	100
01 17 04378	M 40 PA 7001	01 17 04396	M 40 PA 7035	01 17 04360	M 40 PA 9005	50
01 17 04379	M 50 PA 7001	01 17 04397	M 50 PA 7035	01 17 04361	M 50 PA 9005	50
01 17 04380	M 63 PA 7001	01 17 04398	M 63 PA 7035	01 17 04362	M 63 PA 9005	50

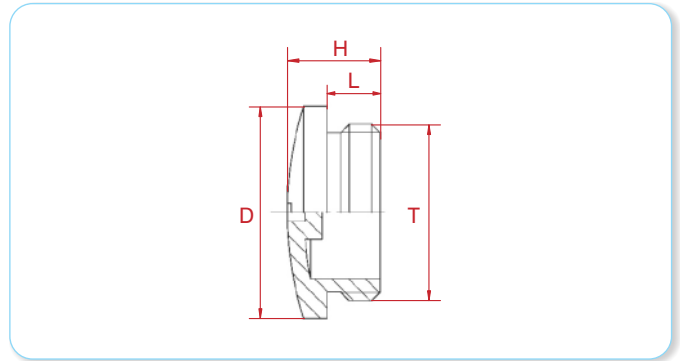
### Hexagonal Locknut - Pg Thread

Article No.	Entry Thread / Color	Article No.	Entry Thread / Color	Article No.	Entry Thread / Color	Packet Size
						(Pcs.)
01 17 04363	Pg 7 PA 7001	01 17 04381	Pg 7 PA 7035	01 17 04353	Pg 7 PA 9005	100
01 17 04364	Pg 9 PA 7001	01 17 04382	Pg 9 PA 7035	01 17 04015	Pg 9 PA 9005	100
01 17 04365	Pg 11 PA 7001	01 17 04383	Pg 11 PA 7035	01 17 04016	Pg 11 PA 9005	100
01 17 04366	Pg 13.5 PA 7001	01 17 04384	Pg 13.5 PA 7035	01 17 04019	Pg 13.5 PA 9005	100
01 17 04367	Pg 16 PA 7001	01 17 04385	Pg 16 PA 7035	01 17 04020	Pg 16 PA 9005	100
01 17 04368	Pg 21 PA 7001	01 17 04386	Pg 21 PA 7035	01 17 04354	Pg 21 PA 9005	100
01 17 04369	Pg 29 PA 7001	01 17 04387	Pg 29 PA 7035	01 17 04355	Pg 29 PA 9005	100
01 17 04370	Pg 36 PA 7001	01 17 04388	Pg 36 PA 7035	01 17 04356	Pg 36 PA 9005	50
01 17 04371	Pg 42 PA 7001	01 17 04389	Pg 42 PA 7035	01 17 04357	Pg 42 PA 9005	50
01 17 04372	Pg 48 PA 7001	01 17 04390	Pg 48 PA 7035	01 17 04358	Pg 48 PA 9005	50



# ACCESSORIES

## SCREW PLUG



### Properties

Material	Polyamide PA6 GF 30
Temperature Range	-30°C / +80°C
Protection Grade	IP 54
Color	RAL 7001, RAL 7035, RAL 9005

### Technical Data

For secure sealing of unused threaded or clearance holes.

POLYAMIDE

#### Screw Plug - Metric Thread

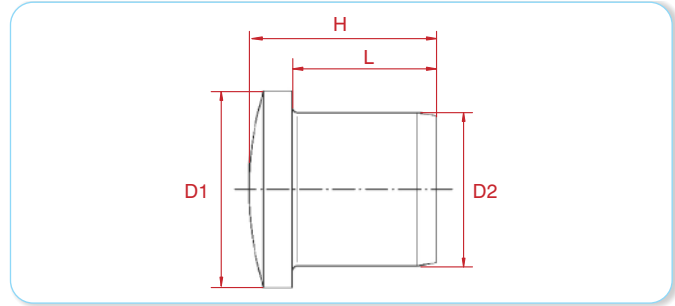
Article No.	External Thread Silver Grey Color		Article No.	External Thread Light Grey Color		Thread Length L (mm)	Height H (mm)	Diameter D (mm)	Packet Size (Pcs.)
	T			T					
01 17 06616	M 12	PA 7001	01 17 06824	M 12	PA 7035	6	10	15	100
01 17 06614	M 16	PA 7001	01 17 06825	M 16	PA 7035	6	10.5	20	100
01 17 06615	M 20	PA 7001	01 17 06826	M 20	PA 7035	6	10.5	24	100
01 17 06622	M 25	PA 7001	01 17 06827	M 25	PA 7035	8	13	30	100
01 17 06623	M 32	PA 7001	01 17 06828	M 32	PA 7035	8	13.5	37	50
01 17 06625	M 40	PA 7001	01 17 06829	M 40	PA 7035	8	14	46	50
01 17 06626	M 50	PA 7001	01 17 06830	M 50	PA 7035	10	16.5	56	25
01 09 00143	M 63	PA 7001	01 09 00279	M 63	PA 7035	12	17	70	25

#### Screw Plug - Pg Thread

Article No.	External Thread Silver Grey Color		Article No.	External Thread Light Grey Color		Thread Length L (mm)	Height H (mm)	Diameter D (mm)	Packet Size (Pcs.)
	T			T					
01 17 06617	Pg 7	PA 7001	01 17 06817	Pg 7	PA 7035	6	10	15	100
01 17 06613	Pg 9	PA 7001	01 17 06818	Pg 9	PA 7035	6	10	19	100
01 17 06618	Pg 11	PA 7001	01 17 06819	Pg 11	PA 7035	6	10	22	100
01 17 06619	Pg 13	PA 7001	01 17 06820	Pg 13	PA 7035	6	10	25	100
01 17 06620	Pg 16	PA 7001	01 17 06821	Pg 16	PA 7035	6	10	27	100
01 17 06621	Pg 21	PA 7001	01 17 06822	Pg 21	PA 7035	8	12.5	33	100
01 17 06624	Pg 29	PA 7001	01 17 06823	Pg 29	PA 7035	8	13	44.5	50
01 17 04306	Pg 36	PA 7001	01 09 00278	Pg 36	PA 7035	10	15	55.5	50
01 09 01365	Pg 42	PA 7001	01 09 00042	Pg 42	PA 7035	10	15.5	62.5	25
01 09 01366	Pg 48	PA 7001	01 09 00280	Pg 48	PA 7035	12	17	69.5	25

## ACCESSORIES

### BLANKING PLUG

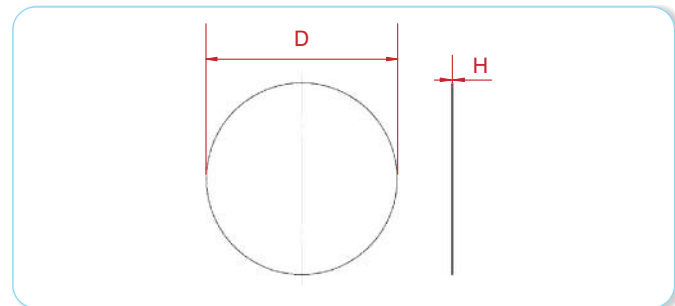


Blanking Plug

Article No.	Description	Size	Diameter		Length	Height
			D1 (mm)	D2 (mm)	L (mm)	H (mm)
01 17 05437	M12 BLANKING PLUG	M 12	10	5.5	9	12.5
01 17 05438	M16 BLANKING PLUG	M 16	13.5	9.5	12	16
01 17 05439	M20 BLANKING PLUG	M 20	16.5	12	12	16.5
01 17 05440	M25 BLANKING PLUG	M 25	20.5	16	15	19.5
01 17 05441	M32 BLANKING PLUG	M 32	24.5	20	17	21.5
01 17 05442	M40 BLANKING PLUG	M 40	32	27	20	24
01 17 05443	M50 BLANKING PLUG	M 50	39	35	25	29
01 09 01157	M63 BLANKING PLUG	M 63	52	42	25	29

POLYAMIDE

### DUST CAP

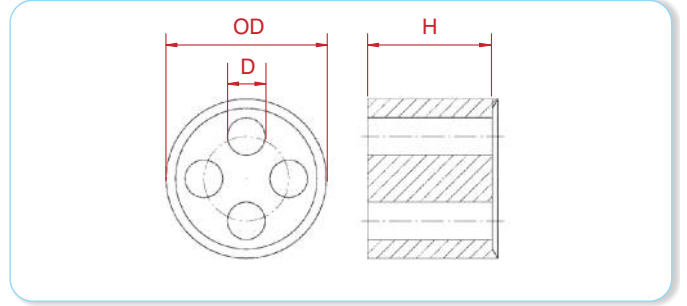


Dust Cap

Article No.	Description	Size	Height	Diameter
			H (mm)	D (mm)
01 17 05776	DUST CAP M12	M 12	0.5	10
01 17 05777	DUST CAP M16	M 16	0.5	15.5
01 17 05778	DUST CAP M20	M 20	0.5	18.5
01 17 05779	DUST CAP M25	M 25	0.5	23
01 17 05780	DUST CAP M32	M 32	0.5	29
01 17 05781	DUST CAP M40	M 40	0.5	35
01 17 05782	DUST CAP M50	M 50	0.5	45
01 17 05783	DUST CAP M63	M 63	0.5	57

# ACCESSORIES

## MULTIPLE INSERTS



Multiple Inserts

Article No.	Size	No. of Holes x Hole Size	Height	Outside Diameter
		N x D (mm)	H (mm)	OD (mm)
039908188	PG 29	17.8 X 4	7.5	15.1
039908189	PG 16	5 X 2	9.3	19.8
039908233	PA-PG 29	7.8 X 5	12.5	25.1
039913391	M 20	4 X 2	12.5	25.1
039915041	PG 16	2 X 6	12.5	25.1
039915042	PG 29	2 X 7	15	32.3
039915043	PG 36	3 X 14.5	8.5	15.3
039915044	M 40	2 X 14.5	8.5	15.3
039910601	M 32	3 X 8	9	17.4
039908002	M 25-27.5/5.5	27.5/5.5	11	22.2

POLYAMIDE







# OTHER PRODUCT PROGRAMS

**TRIBOX®**  
Thermoplastic  
Enclosures



**Wiring Ducts**  
Wire Management Solutions  
PVC & Halogen Free



**DIN Rails**



**Flexible Conduits**



**Solderless Terminals**



**Interface Modules**



**Analog Timers & Digital Timers**



**TRISOLAR®**



**TRIBOX®**  
Customised Solutions



## Trinity Touch Pvt. Ltd.

[www.trinitytouch.com](http://www.trinitytouch.com)

### INDIA

#### Delhi: Corporate Office

D-10, Defence Colony, New Delhi

110024, INDIA

Tel: +91.11.71200900

Fax: +91.11.71200998

E-mail: [postmaster@trinitytouch.com](mailto:postmaster@trinitytouch.com)

### Bengaluru

2nd Floor, Umiya Land Mark 10/7,

Lavelle Road, Bengaluru 560001, INDIA

Tel: +91.80.46231200

### Works & Warehouse

Prithla-Dudhola road, Dudhola Distt. Palwal,

Haryana 121102, INDIA

Tel: +91.1275.711500

E-mail: [sales@trinitytouch.com](mailto:sales@trinitytouch.com)

## Trinity Touch (EUROPE) Ltd.

[www.trinitytouch.co.uk](http://www.trinitytouch.co.uk)

### UK

Unit-L, Tyson Courtyard, Weldon South

Industrial Estate, Corby, Northants,

N N18 8AZ, UK

Tel: +44 (0) 1536 400 641

Fax: +44 (0) 1536 268 043

E-mail: [gbsales@trinitytouch.com](mailto:gbsales@trinitytouch.com)

Distributed by :

